

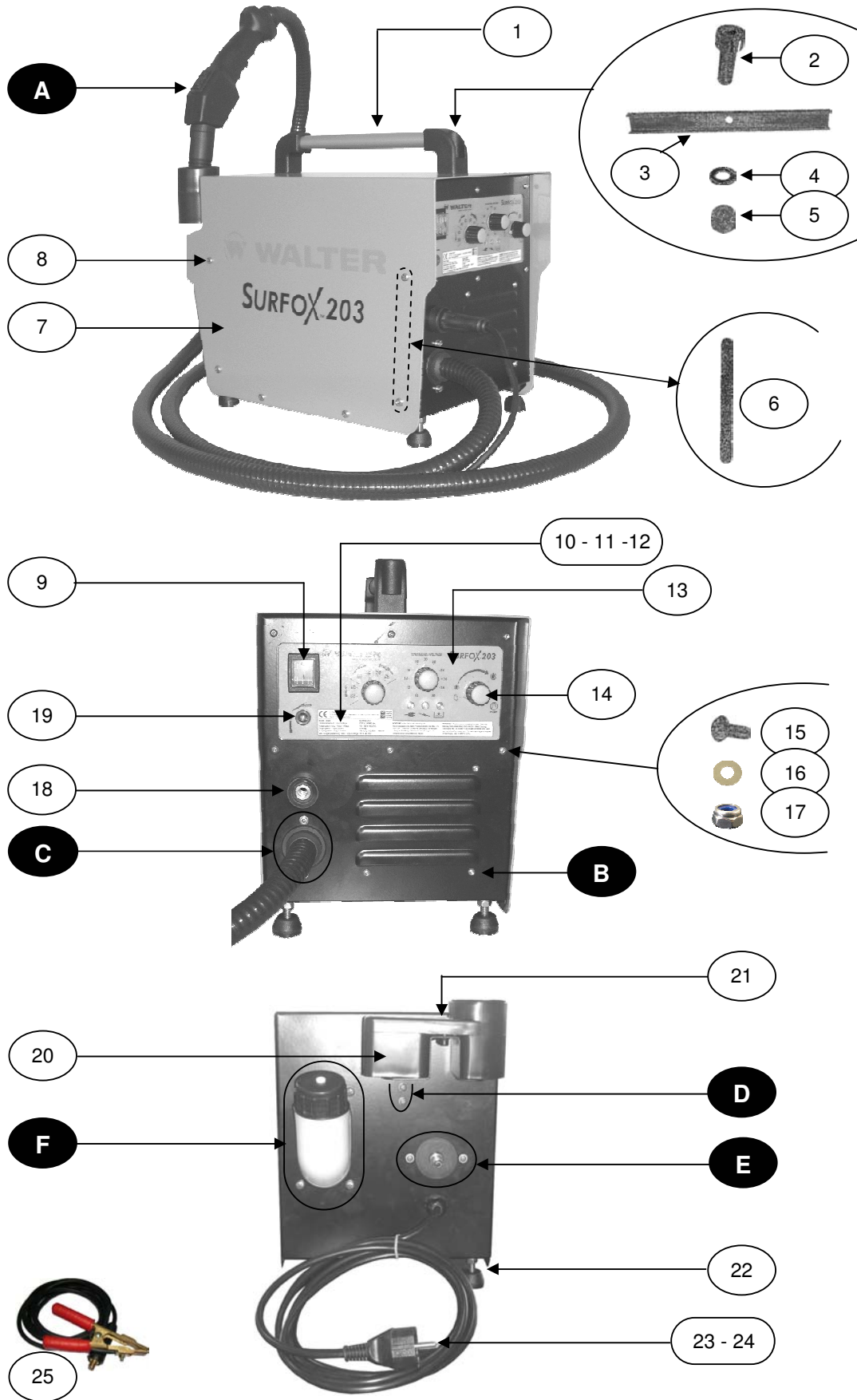


SURFOX™ 203

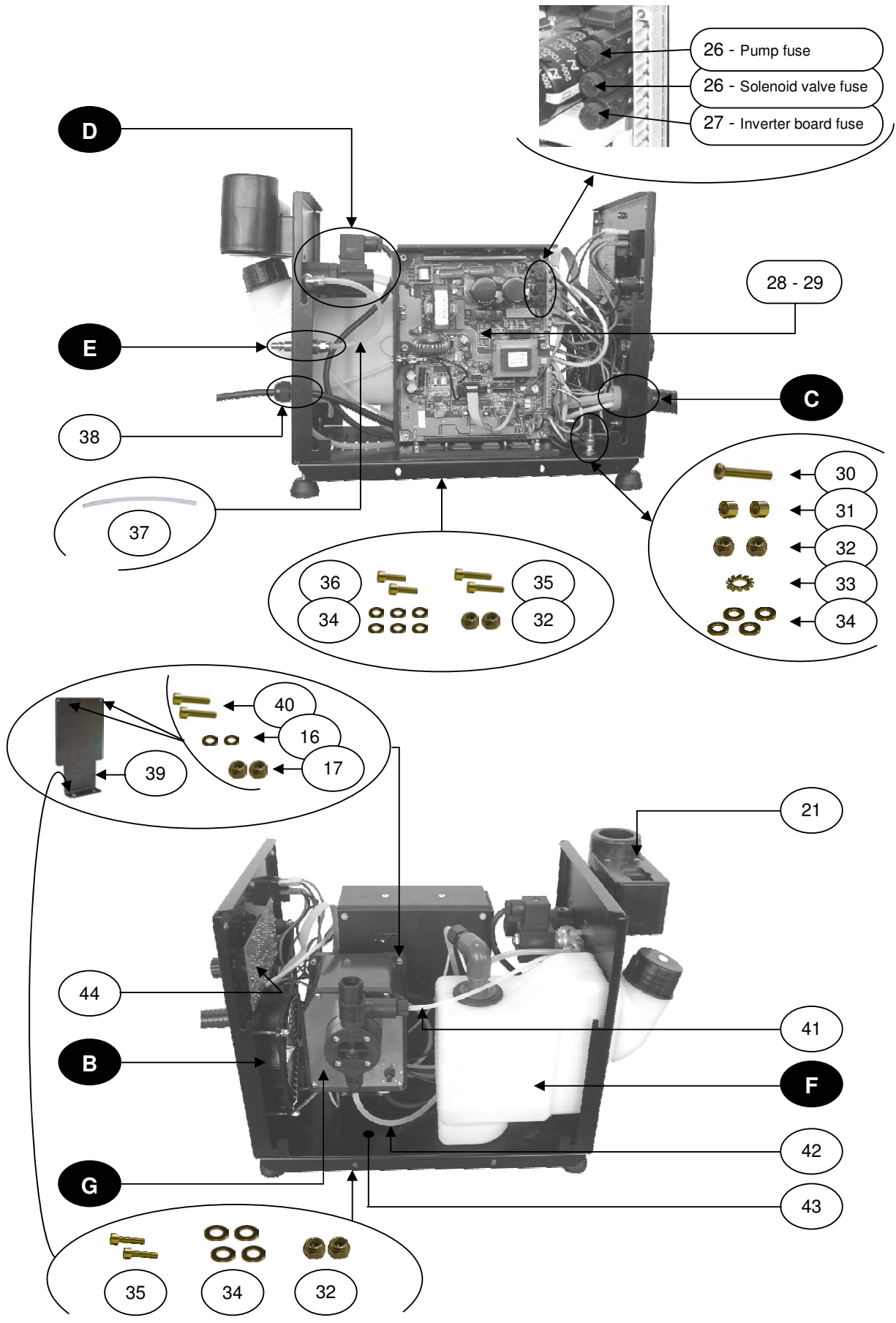


SPARE PARTS LIST

WALTER SURFOX 203
Spare parts list

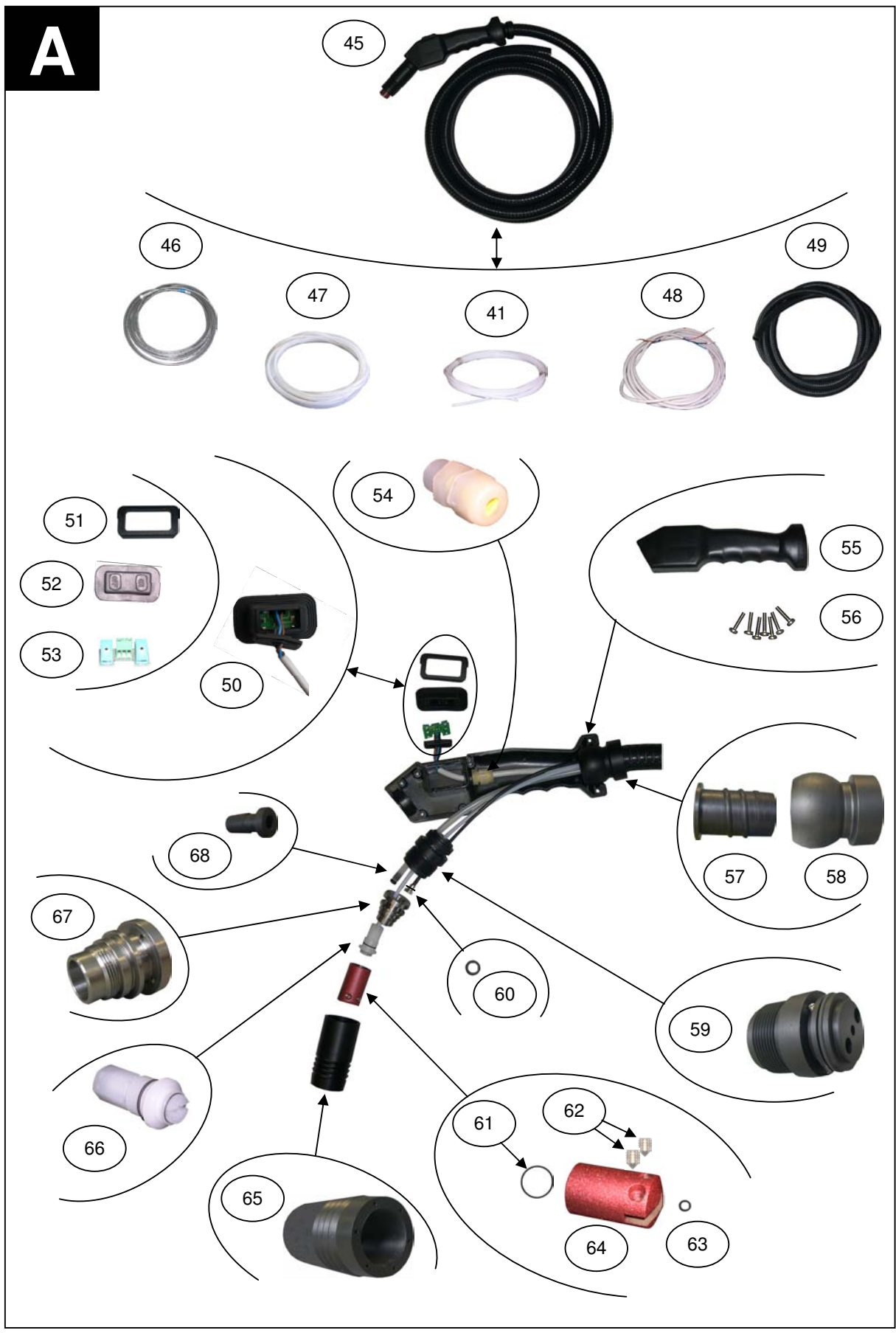


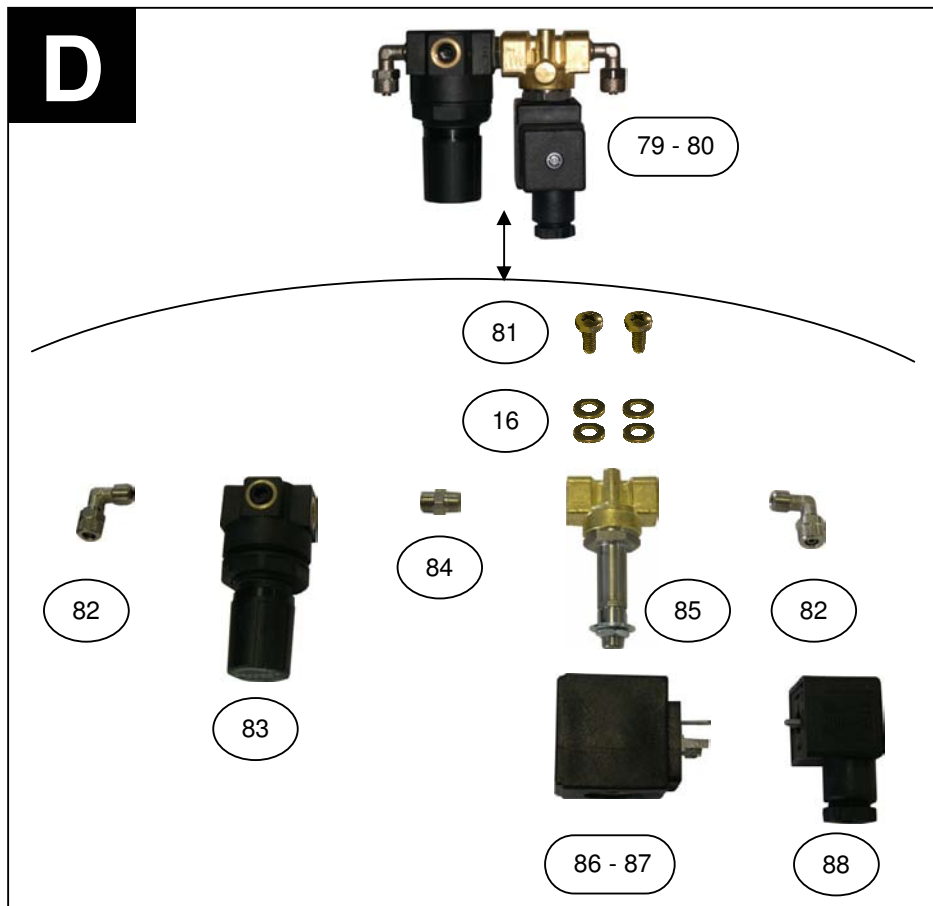
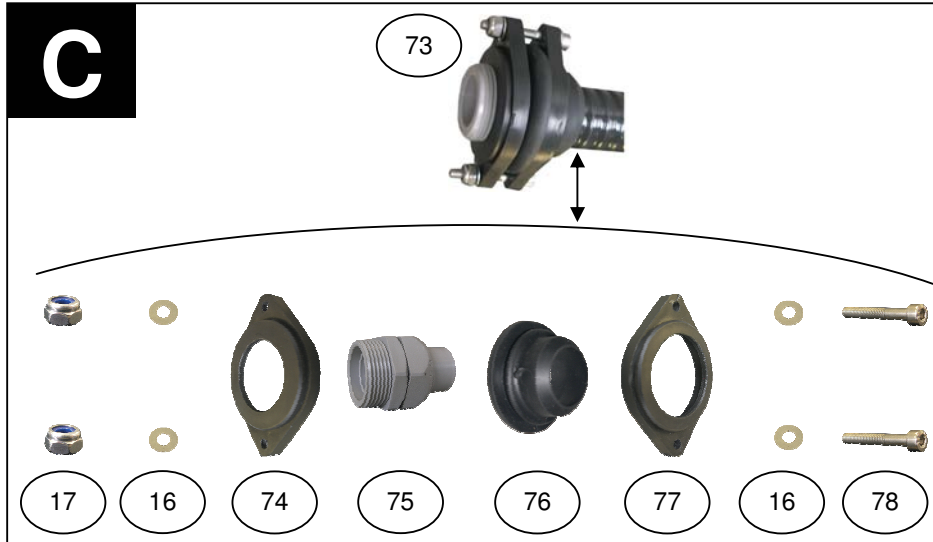
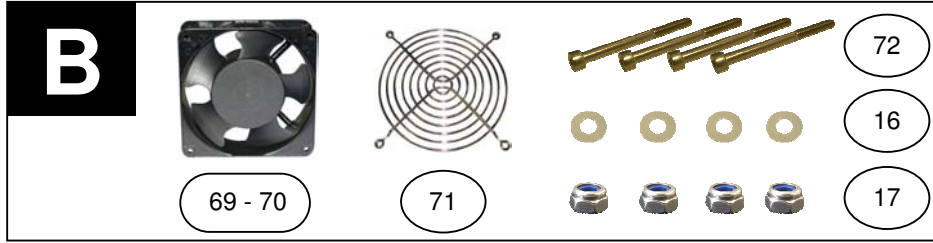
WALTER SURFOX 203
Spare parts list

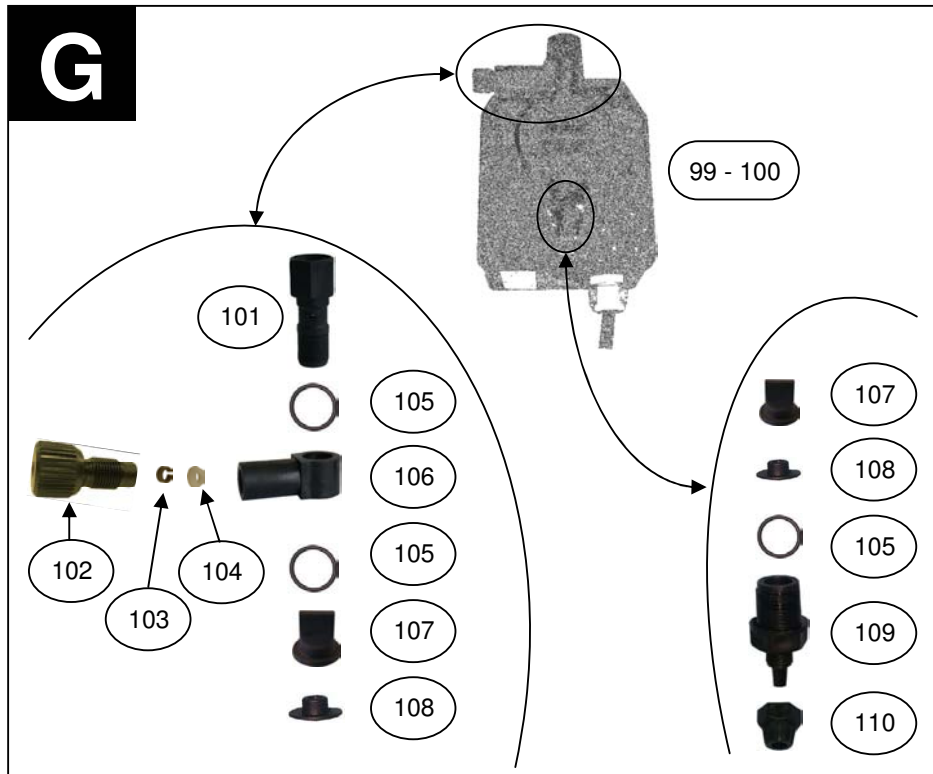
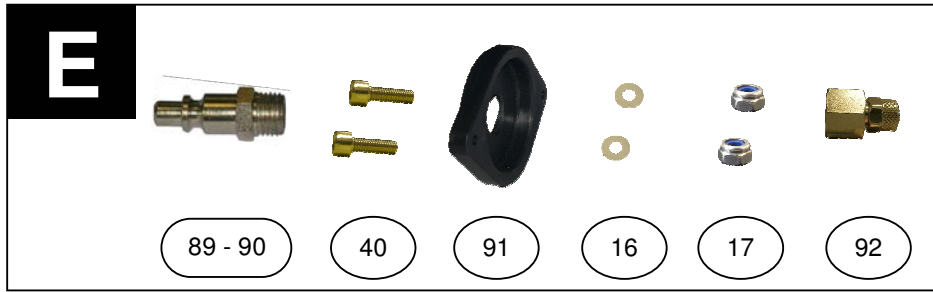


WALTER SURFOX 203
Spare parts list

A







WALTER SURFOX 203

Spare parts list

Nr.	JW Code	Description	Price - €
1	48R312	IMPUGNATURA MACCHINA MACHINE HANDLE	
2	48S114	VITE TCCE 8x25 mm TCCE SCREW 8x25 mm	
3	48R313	RINFORZO A "C" "C" REINFORCEMENT	
4	48K106	RONDELLA IN ACCIO INOX 8x16 mm STAINLESS STEEL WASHER 8x16 mm	
5	48K419	DADO AUTOBLOCCANTE M8 SELF-LOCKING NUT M8	
6	48R314	PIASTRINA DI FISSAGGIO FIXING PLATE	
7	48R354	COFANO WALTER SURFOX 203 WALTER SURFOX 203 FRAME	
8	48S128	VITE TBPH 5x10 mm TBPH SCREW 5x10 mm	
9	48R105	INTERRUTTORE PRINCIPALE MAIN SWITCH	
10	48R355	CARTELLINO FRONT. S203 (CAN/USA/MEX) S203 FRONT LABEL (CAN/USA/MEX)	
11		CARTELLINO FRONT. S203 (ARG/BRA/CIL) S203 FRONT LABEL (ARG/BRA/CIL)	
12		CARTELLINO FRONT. S203 (GER) S203 FRONT LABEL (GER)	
13	48R358	PANNELLO FRONTALE FRONT PANEL	
14	48R321	POMELLO SELETORE NERO BLACK SELECTOR KNOB	
15	48S117	VITE TBCE 4x10 mm TBCE VITE 4x10 mm	
16	48K107	RONDELLA ACCIAIO INOX 4x8 mm STAINLESS STEEL WASHER 4x8 mm	
17	48K420	DADO AUTOBLOCCANTE M4 SELF-LOCKING NUT M4	
18	48R109	PRESA ISOLATA COMPLETA (per cavo di massa) COMPLETE ISOLATED SOCKET (for ground cable)	
19	48R254	PRESA DI CORRENTE (10÷30 Volt – 10 Amp.) POWER SOCKET (10÷30 Volt – 10 Amp.)	
20	48R245	ATTREZZO TAMPONE / POZZETTO TORCIA WAND HOLDER AND PAD MOUNTING FIX	
21	48S007	VITE TCCE 6x20 mm TCCE SCREW 6x20 mm	
22	48R323	PIEDINO MACCHINA MACHINE FIXED FEET	
23	48Z202	CAVO ALIMENTAZIONE MACCHINA 120 Volt MACHINE POWER CABLE 120 Volt	

WALTER SURFOX 203

Spare parts list

Nr.	JW Code	Description	Price - €
24	48R205	CAVO ALIMENTAZIONE MACCHINA 230 Volt MACHINE POWER CABLE 230 Volt	
25	48R136	CAVA DI MASSA GROUND CABLE	
26	48R302	FUSIBILE 1 Amp. FUZE 1 Amp.	
27	48R293	FUSIBILE 6,3 Amp. FUZE 6,3 Amp.	
28	-	SCHEMA INVERTER 120 Volt INVERTER BOARD 120 Volt	
29	-	SCHEMA INVERTER 220 Volt INVERTER BOARD 220 Volt	
30	48S130	VITE TBPH 5x35 mm TBPH SCREW 5x35 mm	
31	48R326	BOCCOLE ACCIAIO INOX 5x8x6 mm STAINLESS STEEL SLEEVE 5x8x6 mm	
32	48R288	DADO AUTOBLOCCANTE M5 SELF-LOCKING NUT M5	
33	48K108	RONDELLA DENTELLATA 5x10 mm NOTCHED WASHER 5x10 mm	
34	48K111	RONDELLA ACCIAIO INOX 5x10 mm STAINLESS STEEL WASHER 5x10 mm	
35	48S121	VITE TCCE 5x16 mm TCCE SCREW 5x16 mm	
36	48R214	VITE TCCE 5x10 mm TCCE SCREW 5x10 mm	
37	48R359	TUBO DI POLIETILENE 4 x 6 mm (LUNG. 180 mm) POLYETHYLENE TUBE 4 x 6 mm (LENGTH 180 mm)	
38	48R106	PRESSACAVO SKINTOP PG11 CABLE PRESS PG11	
39	48R328	SUPPORTO POMPA PUMP SUPPORT	
40	49S120	VITE TCCE 4x16 mm TCCE SCREW 4x16 mm	
41	48R329	TUBO DI TEFLON 2x4 mm (LUNG. 4,8 m) TEFLON TUBE 2x4 mm (LENGTH 4,8 m)	
42	48R360	TUBO DI POLIETILENE 4x6 mm (LUNG. 400 mm) POLYETHYLENE TUBE 4x6 mm (LENGTH 400 mm)	
43	48R327	BASE SURFOX 103/203 SURFOX 103/203 BASE	
44	48R361	SCHEMA DI COMANDO NG5/AP8 NG5/AP8 CONTROL BOARD	
45	48R362	TORCIA SOFFIANTE COMPLETA COMPLETE BLOWING TORCH	
46		TUBO AVG 14 (LUNG. 4,8 m) AVG 14 TUBE (LENGTH 4,8 m)	

WALTER SURFOX 203

Spare parts list

Nr.	JW Code	Description	Price - €
47	48R364	TUBO POLIETILENE 4x6 mm (LUNG. 4,8 m) POLYETHYLENE TUBE 4x6 mm (LENGTH 4,8 m)	
48	48R332	CAVO ELETTRICO 3x0,5 (LUNG. 4,8 m) ELECTRIC CABLE 3x0,5 (LENGTH 4,8 m)	
49	48R365	TUBO FP21 (LUNG. 4m) FP21 TUBE (LENGTH 4 m)	
50	48R307	KIT COMPLETO SCHEDA MICRO COMPLETE MICRO BOARD KIT	
51	48R305	CORNICE PROTEZIONE SCHEDA MICRO PROTECTION MICRO BOARD FRAME	
52	48R304	PROTEZIONE SCHEDA MICRO PROTECTION MICRO BOARD	
53	48R303	SCHEDA MICRO MICRO BOARD	
54	48R180	PRESSACAVO PG7 CABLE PRESS PG7	
55	48R181	IMPUGNATURA TORCIA (2 PZ) TORCH HANDLE (2 PCS)	
56	48S122	VITE TBPH 3x12 mm TBPH SCREW 3x12 mm	
57	48R366	GHIERA PVC per tubo 21 PVC SLEEVE for PG21 tube	
58	48R367	RACCORDO SFERICO PVC per tubo FP21 PVC SPHERICAL CONNECTOR for FP21 tube	
59	48R368	FLANGIA PVC per torcia soffiante PVC FLANGE for blowing torch	
60	48R369	O-RING VITON 5,23 x 2,62 mm VITON O-RING 5,23 x 2,62 mm	
61	48R175	O-RING 0160 VITON 16 x 1 mm VITON O-RING 0160 16 x 1 mm	
62	48S530	GRANO ACCIAIO INOX 5x6 mm STAINLESS STEEL GRANE 5x6 mm	
63	48R113	O-RING VITON 3 x 1 mm VITON O-RING 3 x 1 mm	
64	48R174	CORPO PUNTA ISOLATO ISOLATED TIP SUPPORT	
65	48R390	GHIERA PVC per torcia soffiante PVC SLEEVE for blowing torch	
66	48R203	VALVOLA COMPLETA COMPLETE VALVE	
67	48R370	GIUNTO ACCIAIO INOX per torcia soffiante STAINLESS STEEL COUPLING for blowing torch	
68	48R371	RACCORDO FERMATUBO PVC RETAINING FITTING PVC	
69	48R336	VENTOLA DI RAFFREDDAMENTO 120 Volt COOLING FAN 120 Volt	

WALTER SURFOX 203

Spare parts list

Nr.	JW Code	Description	Price - €
70		VENTOLA DI RAFFREDDAMENTO 230 Volt COOLING FAN 230 Volt	
71	48R338	GRIGLIA DI PROTEZIONE per ventola PROTECTION GRID for fan	
72	48S123	VITE TCCE 4x50 mm TCCE SCREW 4x50 mm	
73	48R373	RACCORDO per tubo FP21 CONNECTION for FP21 tube	
74	48R342	COPERCHIO FORATO Ø28 - fori esterni Ø4,25 COVER WITH HOLE Ø28 - external holes Ø4,25	
75	48R374	RACCORDO GIREVOLE per tubo FP21 REVOLVING CONNECTION for FP21 tube	
76	48R344	MANICOTTO DI GOMMA Ø38 RUBBER SLEEVE Ø38	
77	48R375	COPERCHIO FORATO Ø32 - fori esterni Ø4,25 COVER WITH HOLE Ø32 - external holes Ø4,25	
78	48S124	VITE TCCE 4x30 mm TCCE SCREW 4x30 mm	
79	48R376	GRUPPO RID. PRESS. – ELETTROVALVOLA 120V PRESS. REDUCER - SOLENOID VALVE GROUP 120V	
80		GRUPPO RID. PRESS. – ELETTROVALVOLA 230V PRESS. REDUCER - SOLENOID VALVE GROUP 230V	
81	48S129	VITE TBPH 4x10 mm TBPH SCREW 4x10 mm	
82	48R378	GOMITO CON GHIERA per tubo 4x6 mm ELBOW WITH SLEEVE for tube 4x6 mm	
83	48R379	RIDUTTORE DI PRESSIONE PRESSURE REDUCER	
84	48R380	NIPPLO 1/8 NIPPLE 1/8	
85	48R381	ELETTROVALVOLA SOLENOID VALVE	
86	48R382	BOBINA 120V COIL 120V	
87		BOBINA 230V COIL 230V	
88	48R384	CONNETTORE ELETTROVALVOLA-BOBINA SOLENOID VALVE-COIL CONNECTION	
89	48R385	ATTACCO RAPIDO ARIA COMPRESSA (CAN/USA) AIR CONNECTOR (CAN/USA)	
90		ATTACCO RAPIDO ARIA COMPRESSA (GER) AIR CONNECTOR (GER)	
91	48R387	COPERCHIO FORATO Ø13 - fori esterni Ø4,25 COVER WITH HOLE Ø13 - external holes Ø4,25	
92	48R388	TERMINALE CON GHIERA per tubo 4x6 mm FINAL TERMINAL WITH SLEEVE for tube 4x6 mm	

WALTER SURFOX 203

Spare parts list

Nr.	JW Code	Description	Price - €
93	48R389	SERBATOIO COMPLETO 203 COMPLETE TANK 203	
94	48R347	TAPPO SERBATOIO TANK CAP	
95	48S125	VITE TBPH 5x8 mm TBPH VITE 5x8 mm	
96	48R267	SENSORE GALLEGGIANTE FLOATING SENSOR	
97	48R346	SERBATOIO 103/203 TANK 103/203	
98	48R348	GUARNIZIONE SERBATOIO 203 TANK 203 GASKET	
99	48R233	POMPA 120V PUMP 120V	
100	48R234	POMPA 220V PUMP 220V	
101	48R353	RACCORDO ORIENTABILE DI MANDATA PUMP REVOLVING CONNECTION	
102	48R324	RACCORDO POMPA per tubo 2x4mm PUMP CONNECTION for tube 2x4mm	
103	48R194	OGIVA PEEKØ4 SPINNER PEEK Ø4	
104	48R195	OGIVA PTFE Ø4 SPINNER PTFE Ø4	
105	48R310	O-RING VITON 2062 15,6x1,78 VITON O-RING 2062 15,6x1,78	
106	48R325	CORPO POMPA ORIENTABILE REVOLVING PUMP BODY	
107	48R309	VALVOLA A BECCO D'ANATRA DUCKBILL VALVE	
108	48R308	SEDE VALVOLA VALVE SEAT	
109	48R316	ATTACCO A GHIERA per tubo 4x6mm FITTING for tube 4x6mm	
110	48R171	DADO per tubo 4x6mm NUT for tube 4x6mm	