

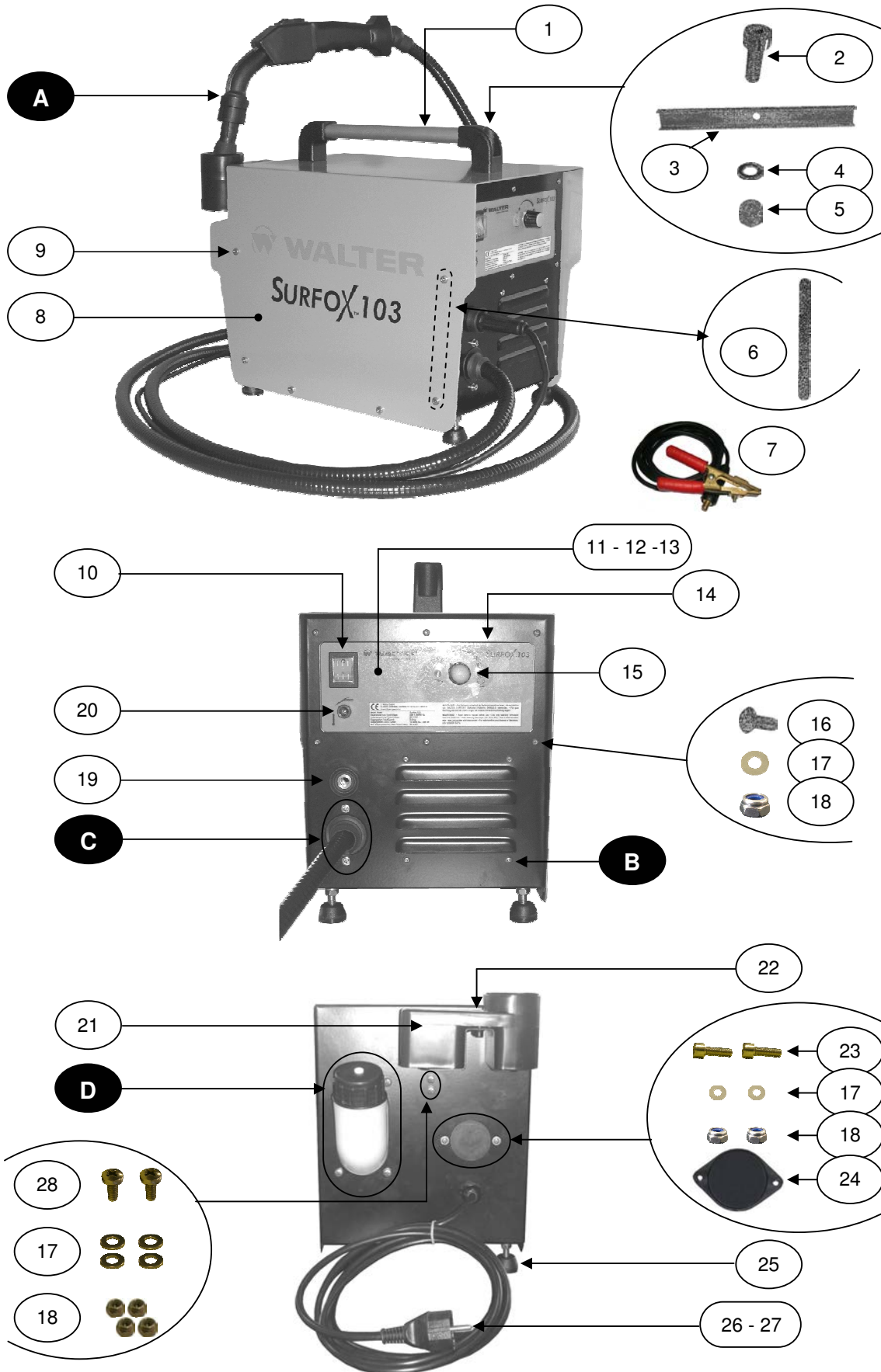
 **WALTER**

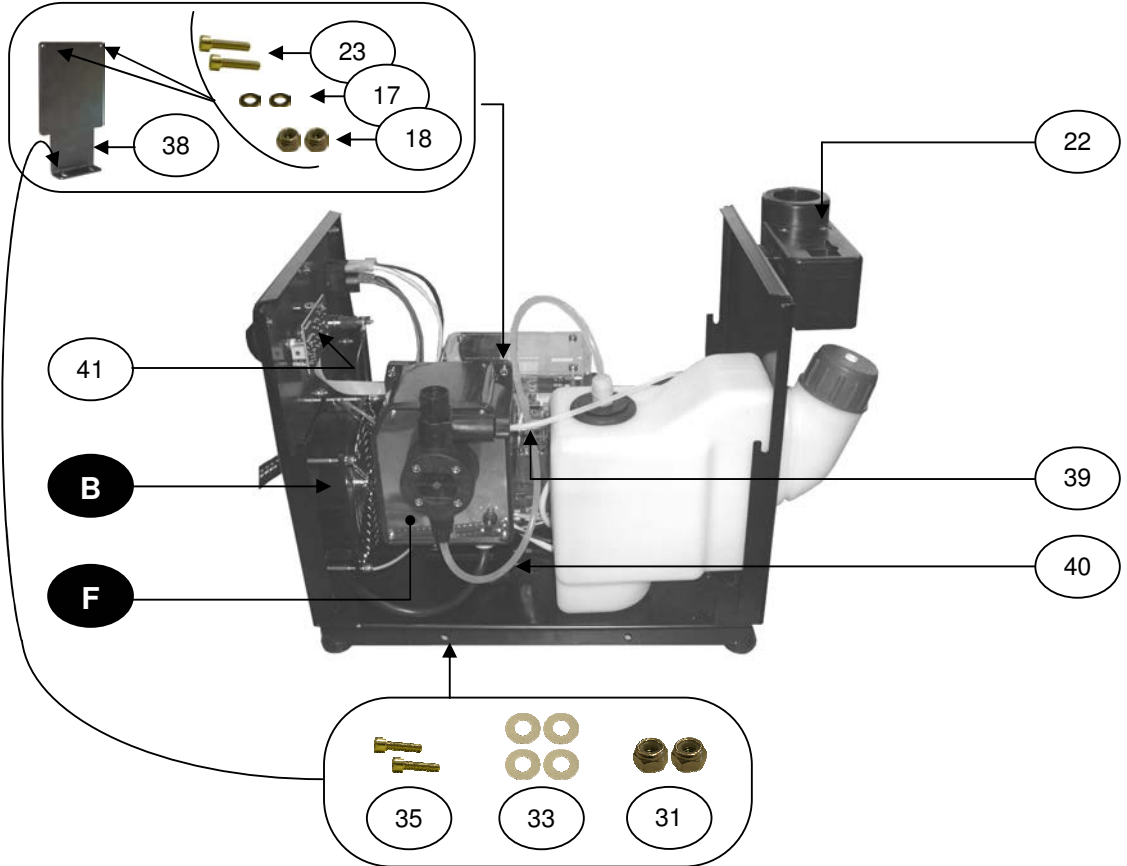
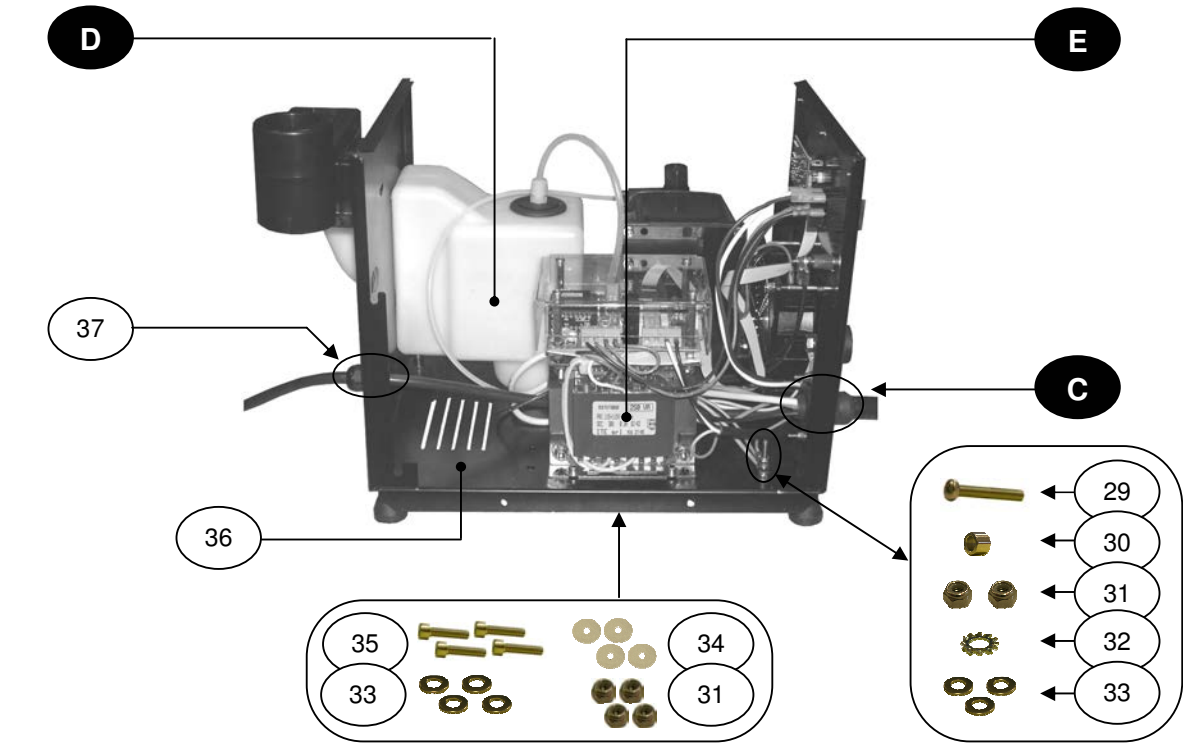
SURFOX™103

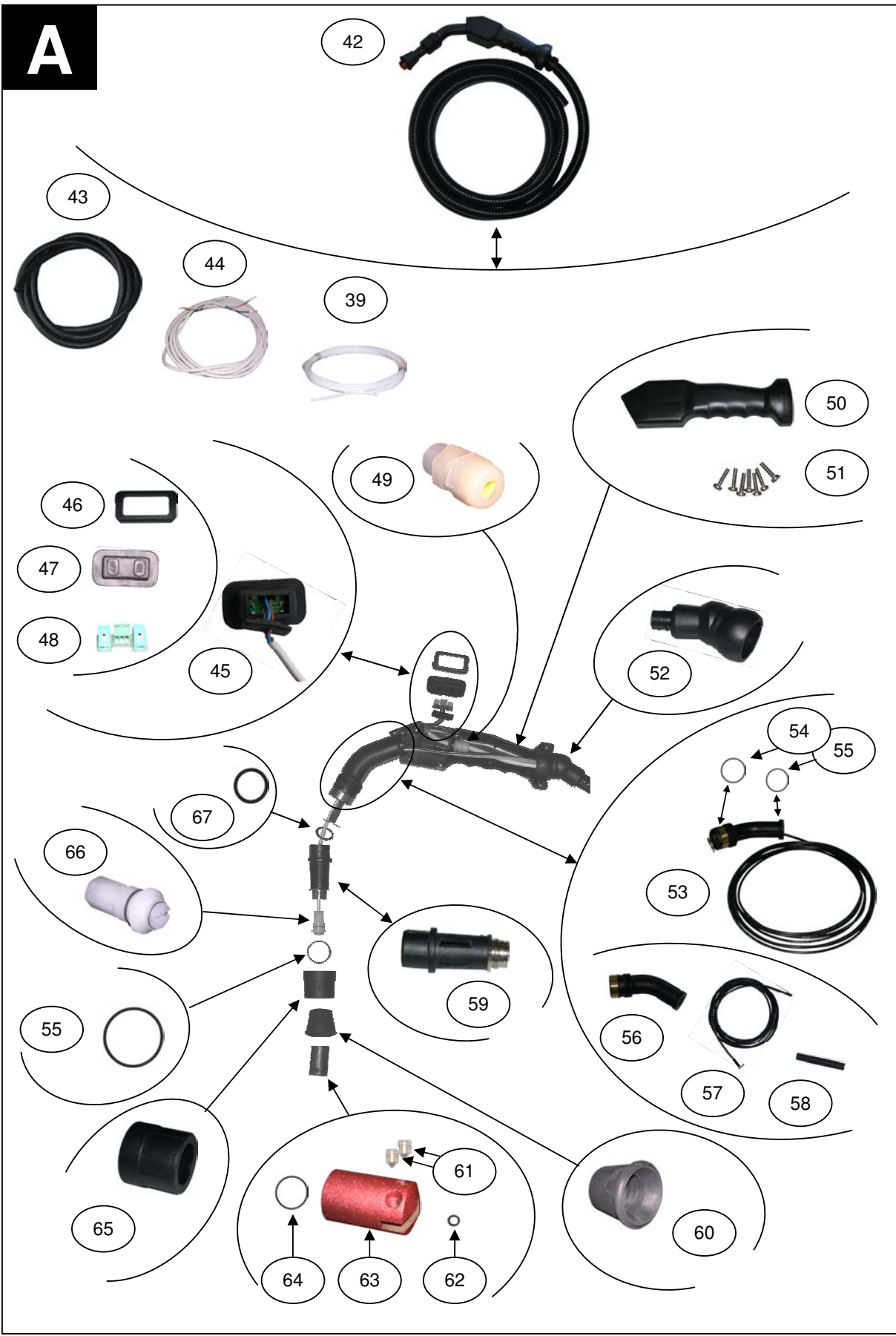


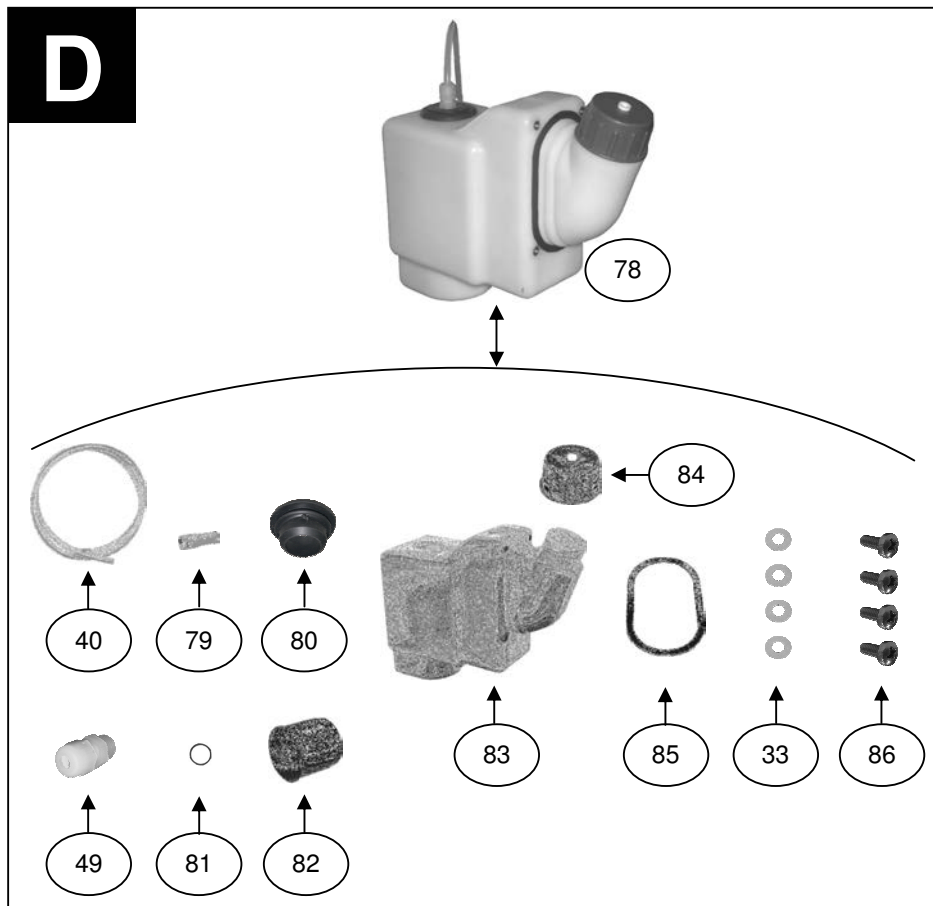
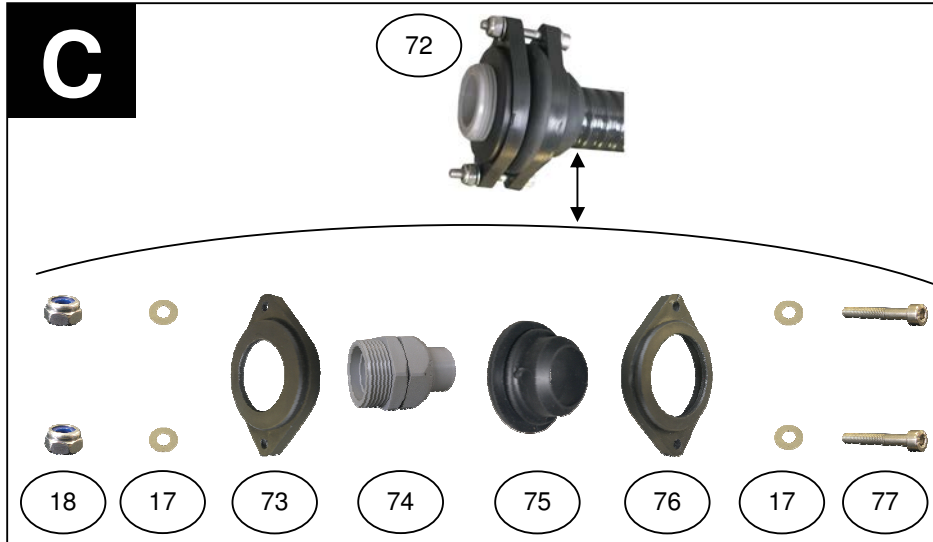
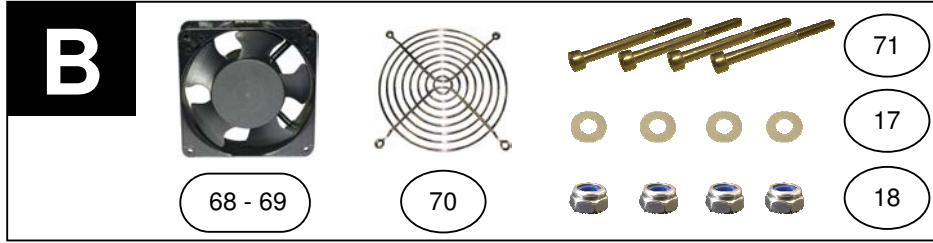
SPARE PARTS LIST

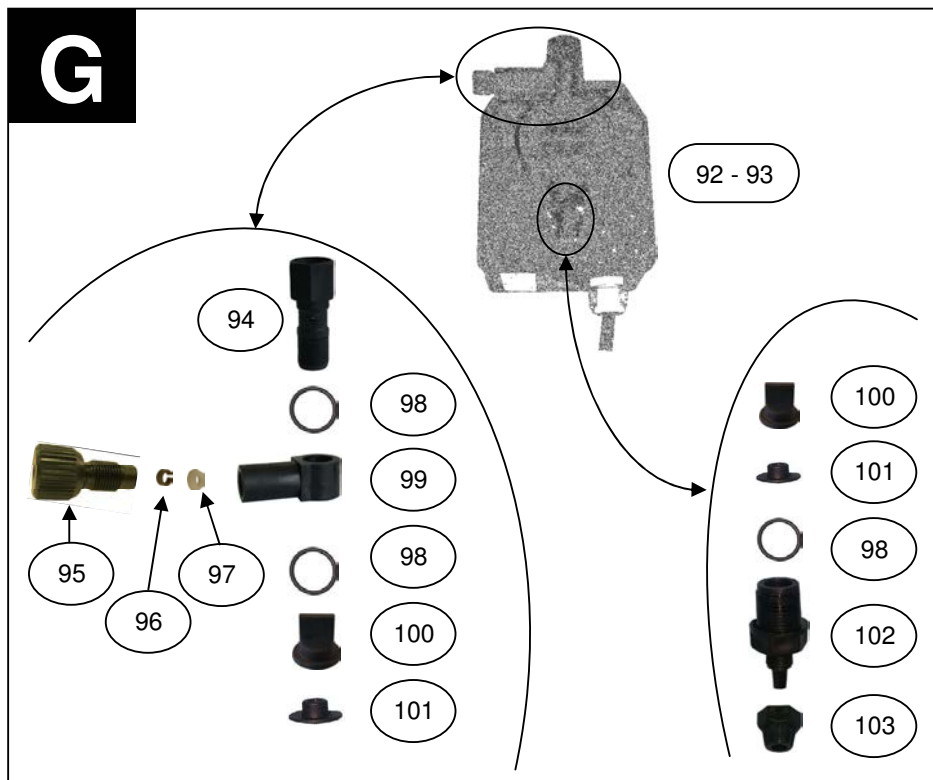
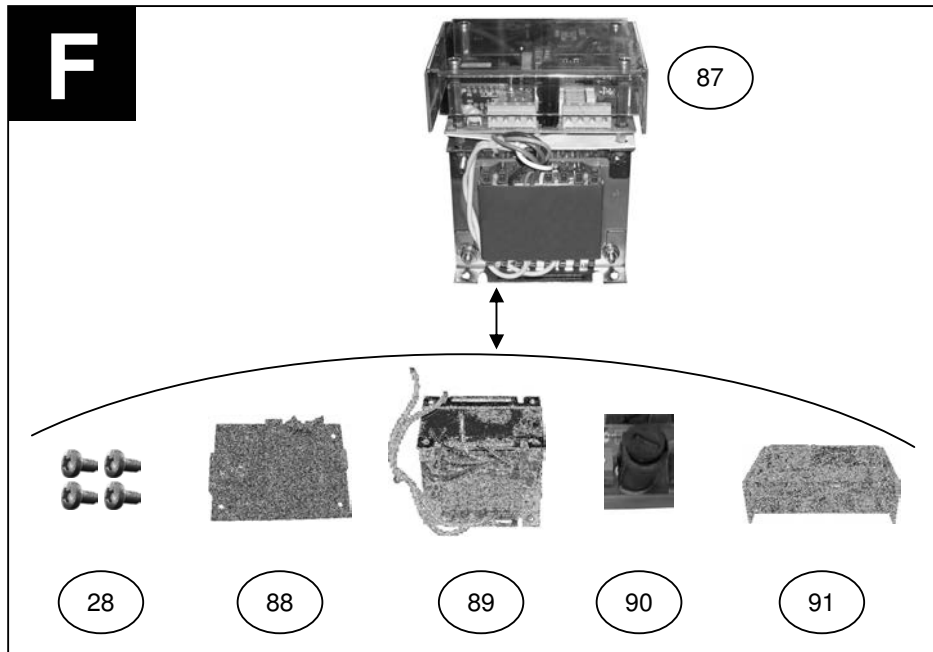
WALTER SURFOX 103
Spare parts list











WALTER SURFOX 103

Spare parts list

Nr.	JW Code	Description	Price - €
1	48R312	IMPUGNATURA MACCHINA MACHINE HANDLE	
2	48S114	VITE TCCE 8x25 mm TCCE SCREW 8x25 mm	
3	48R313	RINFORZO A "C" "C" REINFORCEMENT	
4	48K106	RONDELLA IN ACCIO INOX 8x16 mm STAINLESS STEEL WASHER 8x16 mm	
5	48K419	DADO AUTOBLOCCANTE M8 SELF-LOCKING NUT M8	
6	48R314	PIASTRINA DI FISSAGGIO FIXING PLATE	
7	48R136	CAVA DI MASSA GROUND CABLE	
8	48R315	COFANO WALTER SURFOX 103 WALTER SURFOX 103 FRAME	
9	48S128	VITE TBPH 5x10 mm TBPH SCREW 5x10 mm	
10	48R105	INTERRUTTORE PRINCIPALE MAIN SWITCH	
11	48R317	CARTELLINO FRONT. S103 (CAN/USA/MEX) S103 FRONT LABEL (CAN/USA/MEX)	
12	-	CARTELLINO FRONT. S103 (ARG/BRA/CIL) S103 FRONT LABEL (ARG/BRA/CIL)	
13	-	CARTELLINO FRONT. S103 (GER) S103 FRONT LABEL (GER)	
14	48R320	PANNELLO FRONTALE FRONT PANEL	
15	48R321	POMELLO SELETTORE NERO BLACK SELECTOR KNOB	
16	48S117	VITE TBCE 4x10 mm TBCE VITE 4x10 mm	
17	48K107	RONDELLA ACCIAIO INOX 4x8 mm STAINLESS STEEL WASHER 4x8 mm	
18	48K420	DADO AUTOBLOCCANTE M4 SELF-LOCKING NUT M4	
19	48R109	PRESA ISOLATA COMPLETA (per cavo di massa) COMPLETE ISOLATED SOCKET (for ground cable)	
20	48R254	PRESA DI CORRENTE (10÷30 Volt – 10 Amp.) POWER SOCKET (10÷30 Volt – 10 Amp.)	
21	48R245	ATTREZZO TAMPONE / POZZETTO TORCIA WAND HOLDER AND PAD MOUNTING FIX	
22	48S118	VITE TCCE 6x20 mm TCCE SCREW 6x20 mm	
23	49S120	VITE TCCE 4x16 mm TCCE SCREW 4x16 mm	

WALTER SURFOX 103

Spare parts list

Nr.	JW Code	Description	Price - €
24	48R322	COPERCHIO - fori esterni Ø4,25 COVER - external holes Ø4,25	
25	48R323	PIEDINO MACCHINA MACHINE FIXED FEET	
26	48Z202	CAVO ALIMENTAZIONE MACCHINA 120 Volt MACHINE POWER CABLE 120 Volt	
27	48R205	CAVO ALIMENTAZIONE MACCHINA 230 Volt MACHINE POWER CABLE 230 Volt	
28	48S129	VITE TBPH 4x10 mm TBPH SCREW 4x10 mm	
29	48S130	VITE TBPH 5x35 mm TBPH SCREW 5x35 mm	
30	48R326	BOCCOLE ACCIAIO INOX 5x8x6 mm STAINLESS STEEL SLEEVE 5x8x6 mm	
31	48R288	DADO AUTOBLOCCANTE M5 SELF-LOCKING NUT M5	
32	48K108	RONDELLA DENTELLATA 5x10 mm NOTCHED WASHER 5x10 mm	
33	48K111	RONDELLA ACCIAIO INOX 5x10 mm STAINLESS STEEL WASHER 5x10 mm	
34	48R289	RONDELLA ACCIAIO INOX 5x15 mm STAINLESS STEEL WASHER 5x15 mm	
35	48S121	VITE TCCE 5x16 mm TCCE SCREW 5x16 mm	
36	48R327	BASE SURFOX 103/203 SURFOX 103/203 BASE	
37	48R106	PRESSACAVO SKINTOP PG11 CABLE PRESS PG11	
38	48R328	SUPPORTO POMPA PUMP SUPPORT	
39	48R329	TUBO DI TEFLON 2x4 mm (LUNG. 4,8 m) TEFLON TUBE 2x4 mm (LENGTH 4,8 m)	
40	48R330	TUBO DI POLIETILENE 4x6 mm (LUNG. 800 mm) POLYETHYLENE TUBE 4x6 mm (LENGTH 800 mm)	
41	48R255	SCHEDA DI COMANDO NG41/P NG41/P CONTROL BOARD	
42	48R153	TORCIA COMPLETA COMPLETE TORCH	
43	48R331	TUBO FP15(LUNG. 4 m) FP15 TUBE (LENGTH 4 m)	
44	48R332	CAVO ELETTRICO 3x0,5 (LUNG. 4,8 m) ELECTRIC CABLE 3x0,5 (LENGTH 4,8 m)	
45	48R307	KIT COMPLETO SCHEDA MICRO COMPLETE MICRO BOARD KIT	
46	48R305	CORNICE PROTEZIONE SCHEDA MICRO PROTECTION MICRO BOARD FRAME	

WALTER SURFOX 103

Spare parts list

Nr.	JW Code	Description	Price - €
47	48R304	PROTEZIONE SCHEDA MICRO PROTECTION MICRO BOARD	
48	48R303	SCHEDA MICRO MICRO BOARD	
49	48R180	PRESSACAVO PG7 CABLE PRESS PG7	
50	48R181	IMPUGNATURA TORCIA (2 PZ) TORCH HANDLE (2 PCS)	
51	48S122	VITE TBPH 3x12 mm TBPH SCREW 3x12 mm	
52	48R183	RACCORDO SFERICO PVC per tubo FP15 PVC SPHERICAL CONNECTOR for FP15 tube	
53	48R185	LANCIA CON CAVO JET PIPE WITH TUBE	
54	V48R187	O-RING VITON 0270 27x1,5 VITON O-RING 0270 27x1,5	
55	48R186	O-RING VITON 2106 26,7x1,78 VITON O-RING 2106 26,7x1,78	
56	48R333	COLLO TORCIA TORCH NECK	
57	48R334	CAVO AVG 14 CON ANELLO (LUNG. 4,8 m) AVG 14 CABLE WITH RING (LENGTH 4,8 m)	
58	48R335	GUAINA TERMORESTRINGENTE HERMO-SHRINKAGE TUBE	
59	48R191	INTAKE SLEEVE MANCHON D'ASPIRATION TERMINAL DE ASPIRACIÓN	
60	54B003	COPPETTA IN PLASTICA PLASTIC SMALL CUP	
61	48S530	GRANO ACCIAIO INOX 5x6 mm STAINLESS STEEL GRANE 5x6 mm	
62	48R113	O-RING VITON 3x1 mm VITON O-RING 3x1 mm	
63	48R174	CORPO PUNTA ISOLATO ISOLATED TIP SUPPORT	
64	48R175	O-RING 0160 VITON 16x1 mm VITON O-RING 0160 16x1 mm	
65	48R188	GHIERA LANCIA JET PIPE TERMINATION	
66	48R203	VALVOLA COMPLETA COMPLETE VALVE	
67	48R189	O-RING VITON 0186 18,6x2,4 VITON O-RING 0186 18,6x2,4	
68	48R336	VENTOLA DI RAFFREDDAMENTO 120 Volt COOLING FAN 120 Volt	
69		VENTOLA DI RAFFREDDAMENTO 230 Volt COOLING FAN 230 Volt	

WALTER SURFOX 103

Spare parts list

Nr.	JW Code	Description	Price - €
70	48R338	GRIGLIA DI PROTEZIONE per ventola PROTECTION GRID for fan	
71	48S123	VITE TCCE 4 x 50 mm TCCE SCREW 4 x 50 mm	
72	48R339	RACCORDO per tubo FP15 CONNECTION for FP15 tube	
73	48R340	COPERCHIO FORATO Ø20 - fori esterni Ø4,25 COVER WITH HOLE Ø20 - external holes Ø4,25	
74	48R107	RACCORDO GIREVOLE per tubo FP15 REVOLVING CONNECTION for FP15 tube	
75	48R341	MANICOTTO DI GOMMA Ø34 RUBBER SLEEVE Ø34	
76	48R342	COPERCHIO FORATO Ø28 - fori esterni Ø4,25 COVER WITH HOLE Ø28 - external holes Ø4,25	
77	48S124	VITE TCCE 4x30 mm TCCE SCREW 4x30 mm	
78	48R343	SERBATOIO COMPLETO 103 COMPLETE TANK 103	
79	48R206	FILTRO MOPLN Ø 6 mm MOPLN FILTER Ø 6 mm	
80	48R344	MANICOTTO DI GOMMA Ø38 RUBBER SLEEVE Ø38	
81	48R197	O-RING 12x1 mm O-RING 12x1 mm	
82	48R345	FLANGIA SERBATOIO FLANGIA TANK	
83	48R346	SERBATOIO 103/203 TANK 103/203	
84	48R347	TAPPO SERBATOIO TANK CAP	
85	48R348	GUARNIZIONE SERBATOIO 103/203 TANK 103/203 GASKET	
86	48S125	VITE TBPH 5x8 mm TBPH VITE 5x8 mm	
87	48R256	TRASFORMATORE CON SCHEDA 120/230V TRANSFORMER WITH PC BOARD 120/230V	
88	48R350	SCHEDA TRASFORMATORE 120/230V PC BOARD 120/230	
89	48R351	TRASFORMATORE TRANSFORMER	
90	48R290	FUSIBILE 10 Ampere FUSE 10 Ampere	
91	48R352	PROTEZIONE TRASFORMATORE TRANSFORMER PROTECTION	
92	48R233	POMPA 120V PUMP 120V	

WALTER SURFOX 103

Spare parts list

Nr.	JW Code	Description	Price - €
93	48R234	POMPA 220V PUMP 220V	
94	48R353	RACCORDO ORIENTABILE DI MANDATA PUMP REVOLVING CONNECTION	
95	48R324	RACCORDO POMPA per tubo 2x4mm PUMP CONNECTION for tube 2x4mm	
96	48R194	OGIVA PEEKØ4 SPINNER PEEK Ø4	
97	48R195	OGIVA PTFE Ø4 SPINNER PTFE Ø4	
98	48R310	O-RING VITON 2062 15,6x1,78 VITON O-RING 2062 15,6x1,78	
99	48R325	CORPO POMPA ORIENTABILE REVOLVING PUMP BODY	
100	48R309	VALVOLA A BECCO D'ANATRA DUCKBILL VALVE	
101	48R308	SEDE VALVOLA VALVE SEAT	
102	48R316	ATTACCO A GHIERA per tubo 4x6mm FITTING for tube 4x6mm	
103	48R171	DADO per tubo 4x6mm NUT for tube 4x6mm	