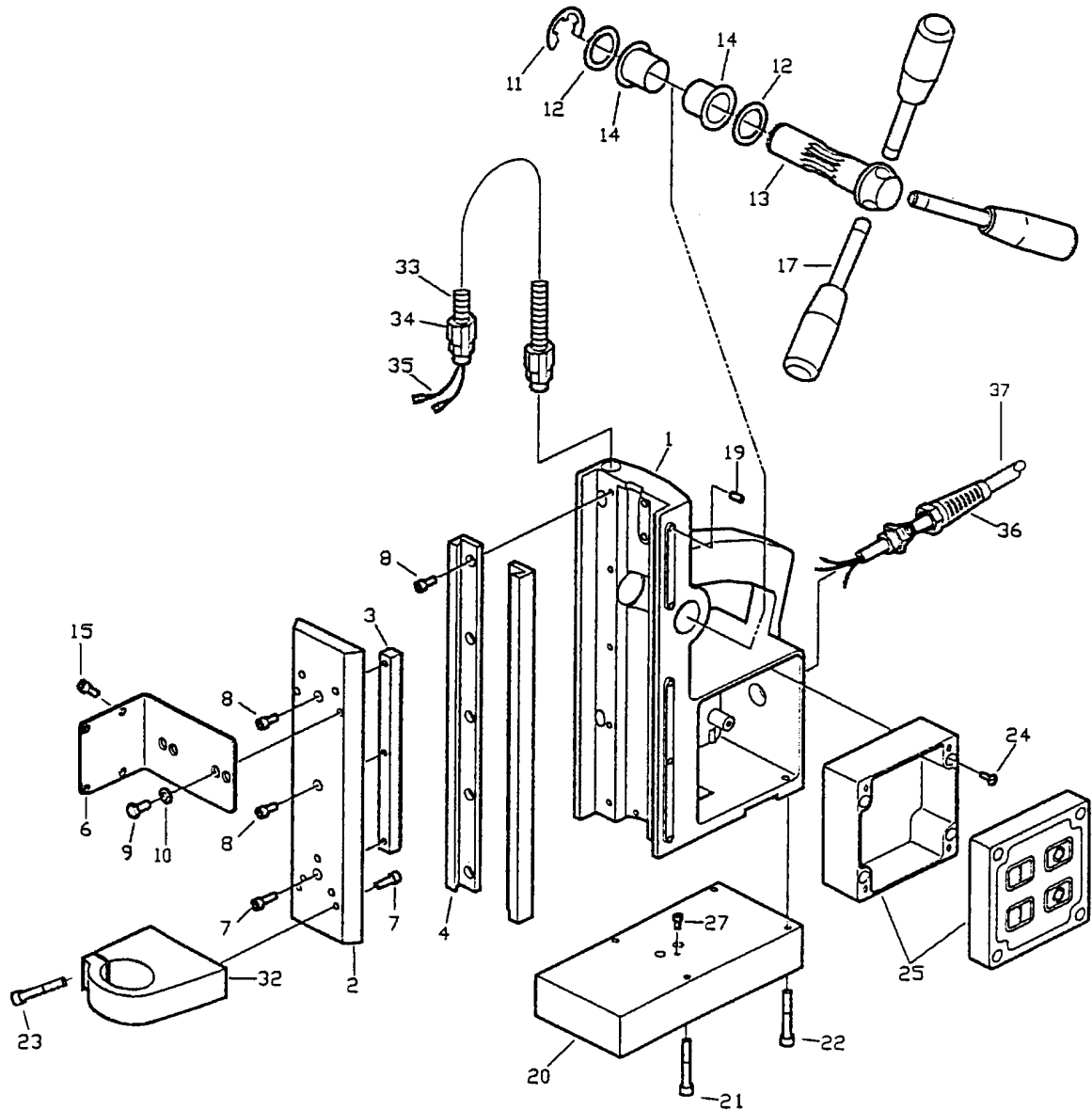


No.	Order No.	Description	No.	Order No.	Description
1	48-E 045	Housing cover	29	48-S 886	Set screw
2	48-S 712	Screw	30	48-Q 258	Needle bearing
3	48-E 046	Armature	31	48-E 044	Sealing ring
4	48-Q 074	Ball bearing	32	48-E 056	Gear
5	48-K 316	Retaining ring	33	48-K 517	Key
6	48-E 055	Brush holder assembly	34	48-E 057	Spacer
7	48-E 006	Carbon brush	35	48-K 516	Retaining ring
8	48-K 131	Washer	36	48-E 019	Pinion shaft
9	48-S 664	Screw	37	48-Q 077	Ball bearing
10	48-K 303	Retaining ring	38	48-E 058	Shift gear
11	48-E 023	Dowel pin	39	48-K 025	Key
12	48-E 025	O'ring	40	48-Q 222	Needle bearing
14	48-Q 129	Ball bearing	42	48-E 059	Vent plate
15	48-E 047	Gear flange	43	48-S 711	Screw
16	48-E 048	Gear housing	44	48-E 060	Field
17	48-E 049	Gear	45	48-E 061	Motor housing
18	48-E 050	Pinion shaft	46	48-J 540	Washer
19	48-E 013	Slider assembly	47	48-E 062	Sealing ring
20	48-E 051	Shift fork	48	48-E 071	Gasket
21	48-Q 132	Ball bearing	49	48-E 098	Grease cup
22	48-E 042	Coolant connector	01-X 001		Pilot pin for 1" long cutters
23	48-E 052	Sealing ring	01-X 002		Pilot pin for 2" long cutters
24	48-E 053	Cutter spindle	22-A 206		Chuck adapter, 1/2"-20 NF
25	48-E 054	Dust cap	22-A 051		Keyed chuck, 1/2"-20 NF
26	48-E 055	Spring	22-A 201		Chuck key
27	48-E 041	Spring seat	39-D 042		Motor complete
28	48-K 515	Retaining ring			



No.	Order No.	Description	No.	Order No.	Description
1	48-J 516	Main housing	22	48-S 874	Screw
2	48-J 517	Slide	23	48-S 106	Screw
3	48-J 518	Rack	24	48-S 875	Screw
4	48-J 519	Guide rail (right)	25	48-J 526	Housing with PC board
5	48-J 520	Guide rail (left)		48-J 530	PC board
6	48-J 521	Stabilizing bracket		48-J 532	Fuse
7	48-S 869	Screw	27	48-S 876	Screw
8	48-S 870	Screw	32	48-J 527	Mounting bracket
9	48-S 871	Screw	33	48-J 528	Protective conduit
10	48-K 511	Washer	34	48-J 512	Strain relief
11	48-K 512	Retaining ring	35	48-J 529	Connecting cord
12	48-K 513	Washer	36	48-J 515	Strain relief
13	48-J 522	Pinion shaft	37	48-Z 202	Cord set
14	48-J 523	Bushing		48-J 072	Safety strap
15	48-S 872	Screw		48-J 533	Coolant unit (complete)
17	48-J 524	Feed handle		48-Z 002	Allen key (2.5 mm)
19	48-S 879	Set screw		48-Z 004	Allen key (4 mm)
20	48-J 525	Magnet		39-D 062	Base (complete)
21	48-S 873	Screw			