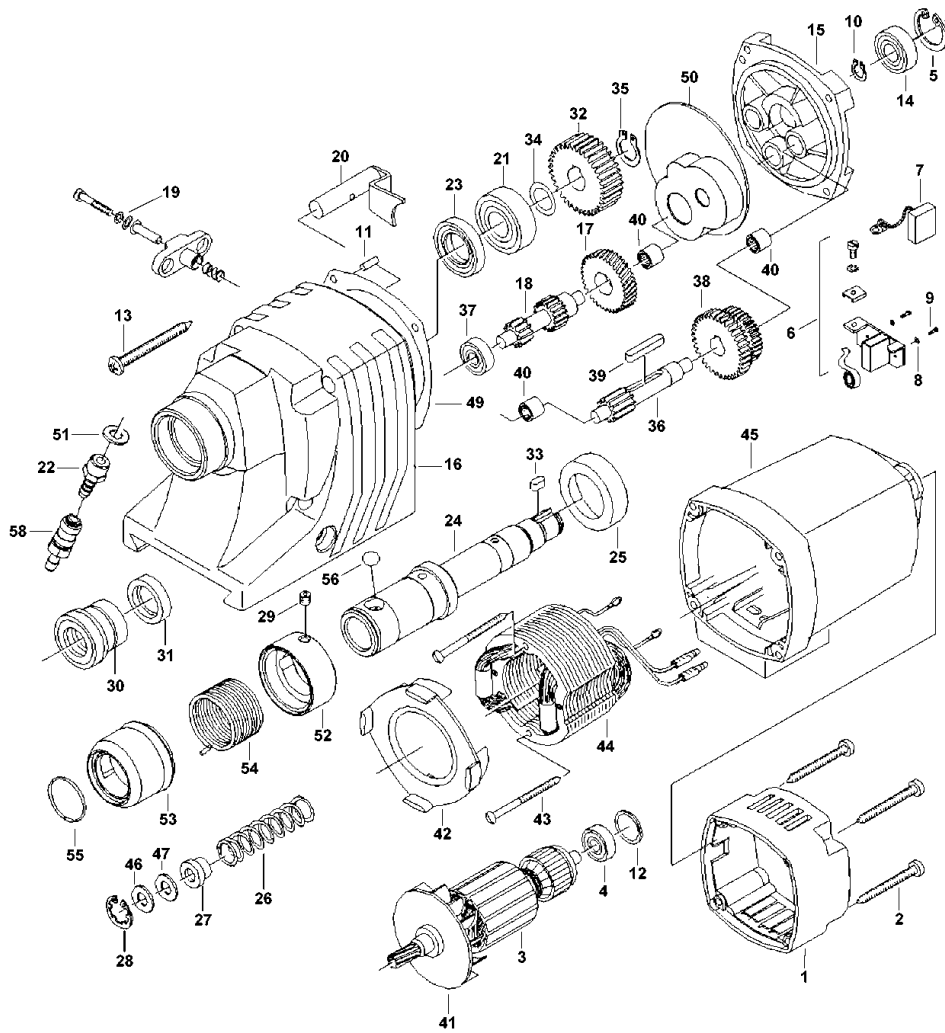




WALTER

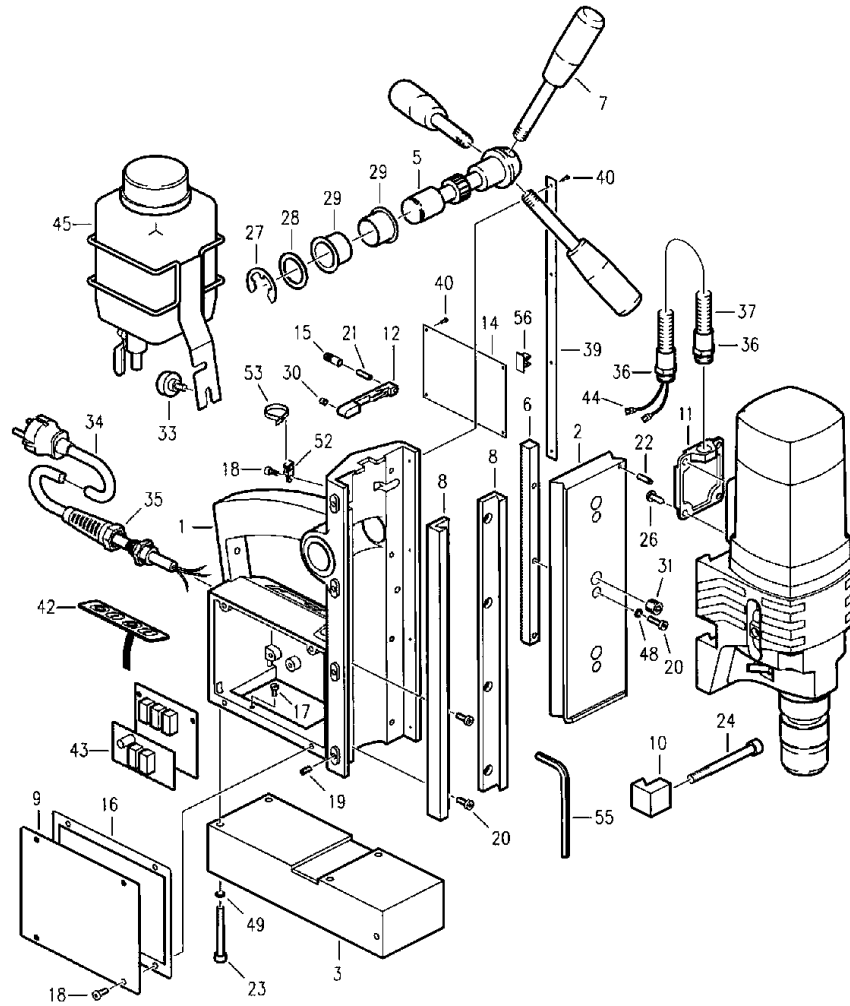
Surface Technologies

STEEL CORE CUT MOTOR MODEL 742B



No.	Order No.	Description	No.	Order No.	Description	No.	Order No.	Description
1	48-E 111	Housing cover	23	48-E 052	Sealing ring	43	48-S 711	Screw
2	48-S 895	Screw	24	48-E 116	Cutter spindle	44	48-E 060	Field
3	48-E 046	Armature	25	48-E 054	Dust cap	45	48-E 113	Motor housing
4	48-Q 074	Ball bearing	26	48-E 117	Spring	46	48-J 540	Washer
5	48-K 316	Retaining ring	27	48-E 041	Spring seat	47	48-E 062	Sealing ring
6	48-E 005	Brush holder assembly	28	48-K 515	Retaining ring	49	48-E 114	Gasket
7	48-E 006	Carbon brush	29	48-E 118	Set screw	50	48-E 098	Grease cup
8	48-K 131	Washer	30	48-Q 258	Needle bearing	51	48-E 103	Sealing ring
9	48-S 664	Screw	31	48-E 044	Sealing ring	52	48-E 104	Fixed collar
10	48-K 311	Retaining ring	32	48-E 056	Gear	53	48-E 105	Locking sleeve
11	48-E 023	Dowel pin	33	48-K 517	Key	54	48-E 115	Spring
12	48-E 025	O-Ring	34	48-E 057	Spacer	55	48-E 107	Retaining ring
13	48-S 896	Screw	35	48-K 516	Retaining ring	56	48-E 108	Ball
14	48-Q 129	Ball bearing	36	48-E 019	Pinion shaft	58	48-J 572	Coolant connector
15	48-E 047	Gear flange	37	48-Q 077	Ball bearing	01-X 001		Pilot pin for 1" long cutters
16	48-E 112	Gear housing	38	48-E 058	Shift gear	01-X 002		Pilot pin for 2" long cutters
17	48-E 049	Gear	39	48-K 025	Key	39-D 003		Weldon adapter
18	48-E 050	Pinion shaft	40	48-Q 222	Needle bearing	39-D 004		Mag Base keyless chuck, 1/2"-20 NF
19	48-E 084	Slider assembly	41	48-E 119	Fan (splined shaft)			
20	48-E 051	Shift fork	42	48-E 120	Fan (round shaft)			
21	48-Q 132	Ball bearing		48-E 059	Vent plate			
22	48-J 571	Coupling						

06-04



<u>No.</u>	<u>Order No.</u>	<u>Description</u>	<u>No.</u>	<u>Order No.</u>	<u>Description</u>
1	48-J 595	Main housing	28	48-K 530	Spacer
2	48-J 596	Slide	29	48-J 606	Bushing
3	48-J 597	Magnet	30	48-J 584	Ball lock
5	48-J 598	Pinion shaft	31	48-S 904	Set screw
6	48-J 599	Rack	33	48-J 612	Knurled screw
7	48-J 524	Feed handle	34	48-Z 202	Cord set
8	48-J 600	Guide rail	35	48-J 585	Strain relief
9	48-J 601	Cover	36	48-J 5586	Strain relief
10	48-J 602	Adjustment clamp	37	48-J 607	Protective conduit
11	48-J 603	Cover	39	48-J 608	Depth gauge
12	48-J 604	Rack lock	40	48-J 5589	Rivet
14	48-J 611	Nameplate	42	48-J 590	Control strip
15	48-J 582	Lock pin	43	48-J 591	PCB
16	48-J 605	Gasket	44	48-J 609	Connecting leads
17	48-S 897	Screw	45	48-J 533	Coolant unit complete
18	48-S 898	Screw	48	48-K 527	Lock washer
19	48-S 899	Set screw	49	48-K 528	Lock washer
20	48-S 901	Screw	52	48-J 593	Clamp
21	48-S 901	Set screw	53	48-J 594	Clamp tie
22	48-S S 905	Set screw	55	48-Z 006	6mm Allen key
23	48-S 906	Screw	56	48-J 610	Clip
24	48-S 907	Screw		48-Z 004	2.5mm Allen key
26	48-S 906	Screw		48-J 072	Safety strap
27	48-K 529	Retaining ring		48-J 613	Chip remover